

Pipe Temperature Sensors

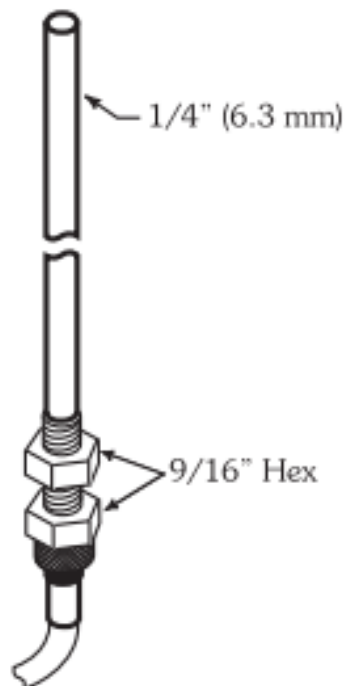
Model TE-703

TE-703-A Immersion Temperature Sensor Thermowell Mount

Incorporate a hermetically sealed 304 SS probe and a brass adapter with a compression sleeve providing a rugged assembly for immersion temperature sensing if field adjustable insertion depth is desired. The brass adapter is screwed in to the thermowell, compression sleeve is loosened, probe inserted to desired length and the sleeve is tightened. Sensor has 6ft/1.8m plenum rated cable for remote termination. TE-703-A sensors provide a cost effective and reliable solution for hot/chilled water, condenser water or low pressure steam applications which require adjustable insertion length.

Ordering Information

Installation	Sensor*	Probe Length	Adapter
A Immersion style With adapter	1 100 ohm Platinum RTD	C 8 inches/200mm	3 1/2" NPT



Le caratteristiche dichiarate possono cambiare senza alcun preavviso



Per ordini:
Tel.: +39 011 198 218 39
E-mail: commerciale@asit-ge.com



ASIT ITALIA S.r.l.

Sede operativa e Uffici

Via Quintino Sella, 6 - 10020 Riva presso Chieri (TO)

T +39 011 198 218 39 - F +39 011 198 371 06

<http://www.asit-ge.com> - info@asit-ge.com

