

# Low Pressure Sensor

## Model PR-274-R2-VDC

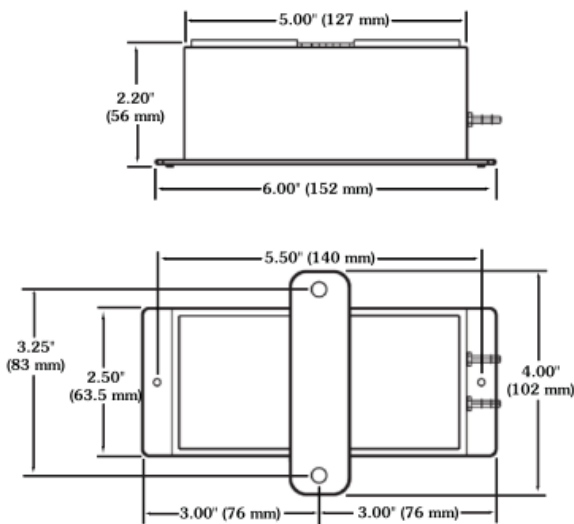
### Low Pressure Sensor Model PR-274

The PR-274 incorporates a new micro-machined glass-on-silicon (GI-Si) capacitance sensor. This technology revolutionizes very low pressure measurement. Temperature related zero drift, calibration shift due to overpressure, non-repeatability, non-linearity, and extremely low pressure sensitivity have been some of the problems which have plagued the controls industry. The PR-274 with the new GI-Si technology not only addresses all of the above shortcomings, but for the first time offers a reliable, accurate means to measure and control building/room pressure, air flow, duct pressure, filter pressure drop, or any other extremely low pressure application. Up to six field selectable direct or compound ranges, two enclosure types, field selectable outputs, fully temperature compensated NIST traceable accuracy, non-interacting zero and span adjustments, short circuit and reverse polarity protected output, and a liberal five year warranty are some of the features which make the PR-274 the industry's highest performance, ultra-stable, low pressure sensor.

### Ordering Information

Packaging	Range	Output
<b>274</b> (enclosure)	<b>R2</b> ("wc) 0 to 1.0 / 0 to 0.5 / 0 to 0.25 / -0.5 to +0.5 / -0.25 to +0.25 / -0.125 to +0.125	<b>VDC</b> (0-5 VDC or 0-10 VDC field selectable)

### Enclosure



### CONFORMANCE & TESTING:

RoHS Compliant

EMC Testing:

BS EN 55022:1998, BS EN 55024:1998,  
EN 61000-3-3, EN 61000-4-2,  
EN 61000-4-3, EN 61000-4-4,  
EN 61000-4-5, EN 61000-4-6,  
EN 61000-4-11



Le caratteristiche dichiarate possono cambiare senza alcun preavviso



Per ordini:  
Tel.: +39 011 198 218 39  
E-mail: commerciale@asit-ge.com



**ASIT ITALIA S.r.l.**

**Sede operativa e Uffici**

Via Quintino Sella, 6 - 10020 Riva presso Chieri (TO)

T +39 011 198 218 39 - F +39 011 198 371 06

<http://www.asit-ge.com> - [info@asit-ge.com](mailto:info@asit-ge.com)

