

High Accuracy Ultrasonic Level Meter

MODELLO AI.U LH



DESCRIPTION

AI.ULH series ultrasonic level meter realizes full digital communication between machine and human. The CPU applies cutting edge industrial monolithic integrated circuit, it is automatically temperature compensated with a wide range of voltage input. You can select analog, switches, RS485 or HART signal outputs. The level meter has no contact with measuring medium, it is precise and has long lifetime.

TECH DETAILS

Resettable range

Ranges: 3m,5m,8m,10m,12m,15m,20m,25m,30m,40m

Dead band: <0.25-2m (based on different ranges)

Beam angle: <10° or 12° (based on different ranges)

Resolution: 1mm

Frequency: 20 KHz-2000KHz

Accuracy: +/- 0.3% F.S, +/- 0.2% F.S. (optional)

Automatic Temperature compensation

Display: OLED

Setting: throughout push buttons

OUTPUTS

Analogue outputs: 0~20mA; 4~20mA @ load>300Ω; 0~5V; 0~10V

Digital output: RS485(Modbus); HART (2 wire)

Wireless: GPRS, LORA, NB, RF, Blue-tooth, wifi and etc.

Switches: Three NPNs or Two relays (AC:3A 250V DC:5A 24V)

POWER SUPPLY

DC3.7-32V, DC18-32V (2 wire)

Power consumption: <1.5W, <0.8W (2 wire)

MATERIAL

Dimensions: Φ109mmx226mm x G1.5" (3m Range),

Φ109mmx226mm x G2" (3-15m range),

Φ109mmx2570mm x G3.5" (15-40m range)

Mounting Connection: G1.5" (3m range), G2" (3-15m range),

G3.5" (15-40m range)

Housing and transmitter material: ABS/Nylon or PVDF (optional) or
Casted Aluminum

Wiring: integrated terminals

Electrical connection: M16X1.5

APPLICATION

- Water and waste water
- Power stations
- Mining
- Food industry
- Process automation applications

ENVIRONMENT

Storage humidity: $\leq 80\%$ RH

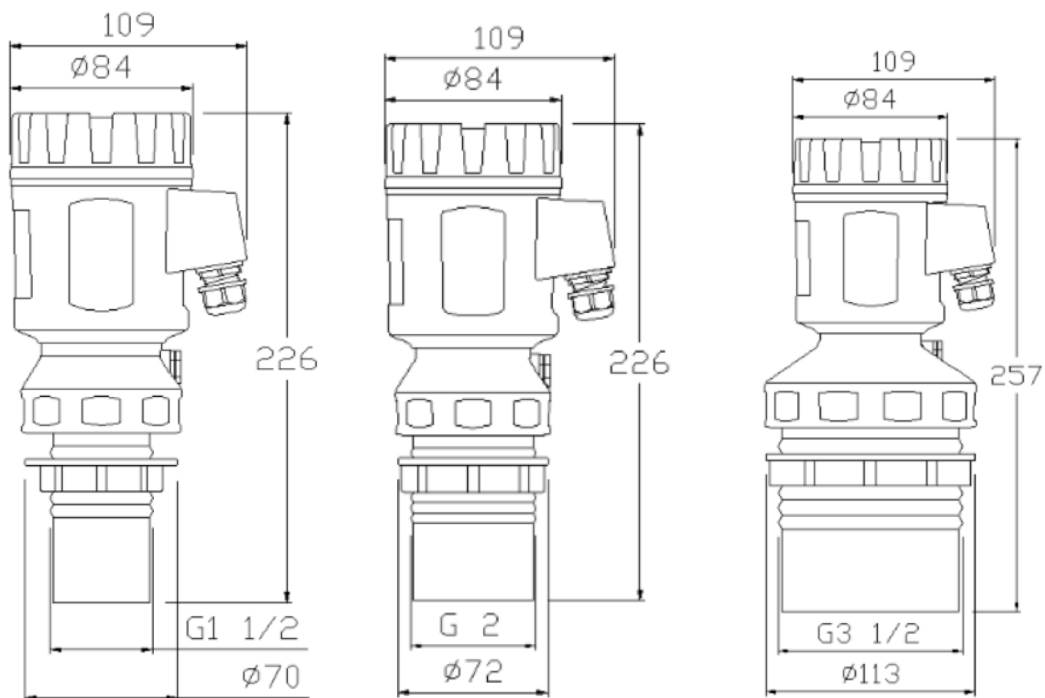
Max temperature: 60°C, 110°C (optional)

Ingress protection: IP65, IP68 (optional)

Explosion proof: EXiaII BT4Gb (EX type only)

Ambient pressure and temperature

DIMENSIONS (mm)





ASIT ITALIA S.R.L.

Sede operativa e Uffici
Via Quintino Sella, 6
10020 Riva presso Chieri (TO)
T (+39) 011 198 218 39 - F (+39) 011 198 371 06

INFO@ASIT-GE.COM

WWW.ASIT-GE.COM



Company with
Certificate of Quality
System ISO 9001:2015
Cert n°38785/19/S