

**FLOAT LEVEL SWITCH  
FOR LIQUIDS**

**AI.LSoem Series**



**AI.LSoem**



**AI.LSoem.W**

## DESCRIPTION

The level switch is suitable for fluids in general, particularly used in the naval, chemical and aqueduct. Our AI.LSoem model is made up of a float totally in AISI 316 of dimensions 28x28mm, all assembled with the Ø 9mm stem which gives it a degree of resistance optimal. The reversibility of the float allows the user to choose the most suitable configuration of operation; you can opt for normally open or normally closed at rest.

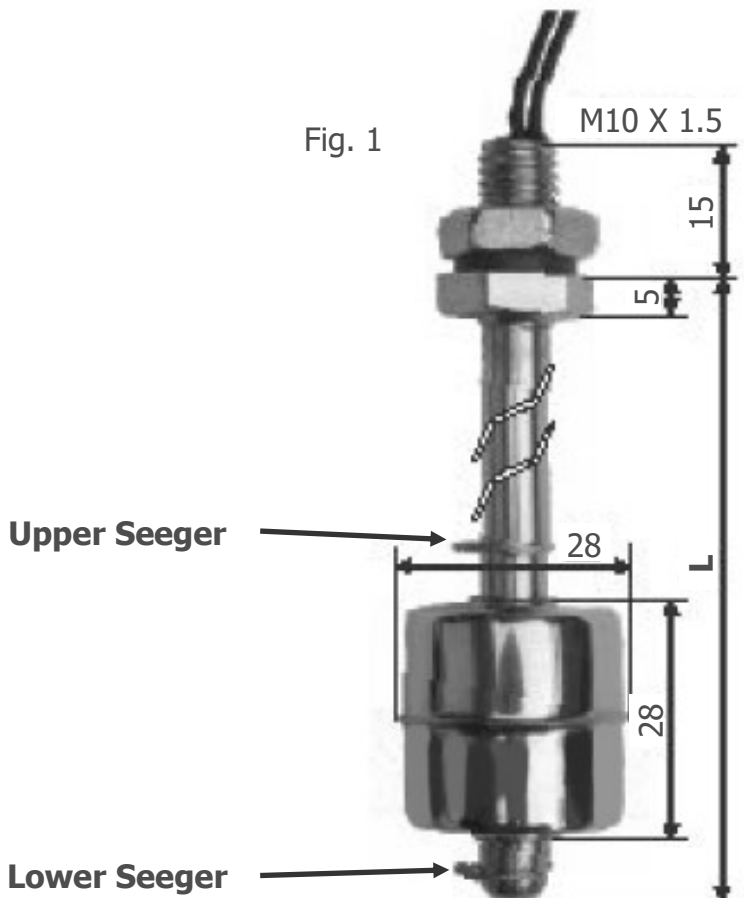
## MAIN FEATURES

- Body totally in AISI 316
- Sturdy float in AISI 316
- SPST normally open or normally closed
- Possibility of inverting the normally open normally closed contact by inverting the position of the float

## APPLICATIONS

- Monitoring of all fluids in general
- Monitoring of all fluids present with density  $\geq 560 \text{ kg/m}^3$
- Compatible fluids AISI 316

## TECHNICAL SPECIFICATIONS DIMENSIONS



Wall mounting bracket  
AI.LSoem.W version

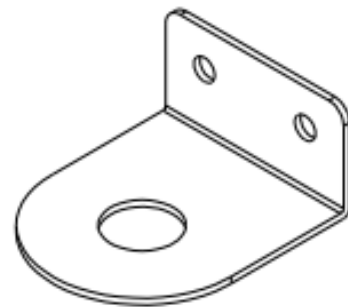


Fig. 2

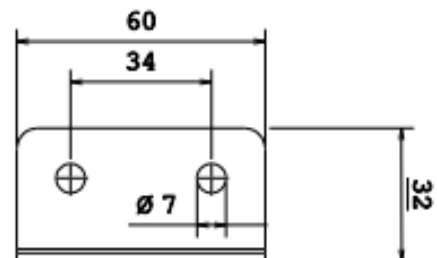


Fig. 3

<b>Measurement principle</b>	The SPST type contact is switched by a magnet in the float with increasing level, and returns to rest position with decreasing level.
<b>Output type</b>	Change-over contact (SPST) - Possibility of inverting the normally open or normally closed contact by inverting the position of the float
<b>Intervention position</b>	Swap up/reset down
<b>SPST contact capacity in exchange</b>	230Vac/DC 60W/VA Contact rating 3A
<b>Test device</b>	Not expected for this model
<b>Precision</b>	Switch point accuracy $\pm 3$ mm incl. hysteresis, non-repeatability
<b>Electrical connection</b>	Direct output cable 1 m
<b>Protection class</b>	IP68 resin
<b>Mounting location</b>	Vertical
<b>Process attack</b>	AI.LSoem: Fixing of the level switch with M10 X 1.5 lock nut AI.LSoem.W: Fixing of the integral level switch using the 2-hole bracket, fixing center distance 34mm, through holes $\varnothing 7$ per Wall mounting.
<b>Material</b>	
Mounting bracket Floating Measuring stem Cable	AISI 316L material AISI 316 material AISI 316 material PVC material 2 x 0.25mm <sup>2</sup>
<b>Allowed temperatures</b>	
Fluid	-20...+ 80 °C
<b>Process pressure</b>	max. 10 bar
<b>Density of the fluid</b>	> 800 kg/m <sup>3</sup>

## ELECTRICAL CONNECTION

### Cable outlet

#### SPST

##### CONFIGURATION 1



com  
no



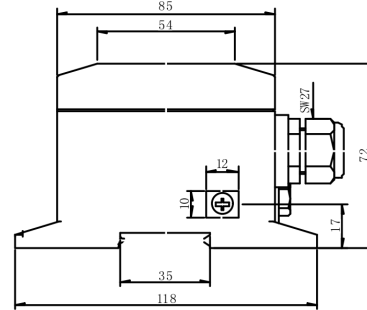
##### CONFIGURATION 2

nc  
com



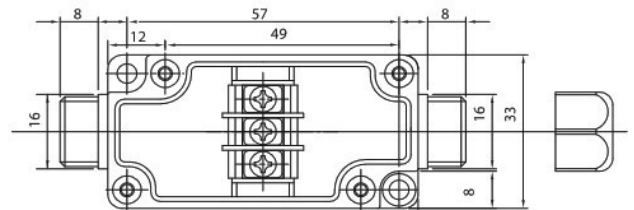
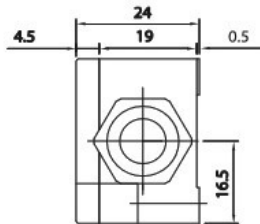
## Box connection TYPE 1

- IP65 cable connection box
- Double mounting: wall or omega bar



## Box connection TYPE 2

- IP65 cable connection box
- Single mounting: wall



# ORDER CODE

<b>AI.LSoem</b>	<b>Float Level Switch for Liquids</b>
	<b>Wall mounting bracket (reference fig.2-3)</b>
	<b>W:</b> yes
	<b>X:</b> no
	<b>Stem length "L" (reference fig.1)</b>
	<b>1:</b> 45mm
	<b>2:</b> 60mm
	<b>3:</b> 75mm
	<b>4:</b> 100mm
	<b>5:</b> 120mm
	<b>6:</b> 150mm
	<b>7:</b> 180mm
	<b>8:</b> 200mm
	<b>Cable lenght</b>
	<b>1:</b> standard 1,5m
	<b>X:</b> request
	<b>Change-over contact (SPST)</b>
	<b>A:</b> normally open at rest
	<b>C:</b> normally closed at rest
	<b>nota:</b> Possibility of contact inversion normally open or normally closed, reversing the position of the float
	<b>Box Connection</b>
	<b>0:</b> no
	<b>1:</b> type 1
	<b>2:</b> type 2

**Order code example:**

*Wall mounting bracket      Stem Lenght      Cable lenght      Change-over contact      Box Conection*

<b>AI.LSoem</b>	<b>W</b>	<b>3</b>	<b>1</b>	<b>A</b>	<b>0</b>
-----------------	----------	----------	----------	----------	----------

**Description Code:**

*Float Level Switch for Liquids AI.LSoem*

*W: Wall mounting bracket*

*3: Stem lenght (75mm)*

*1: Cable lenght (1,5m)*

*A: Change-over contact (normally open at rest)*

*0: no Box connection*



# ASIT ITALIA S.R.L.

Sede operativa e Uffici

Via Quintino Sella, 6

10020 Riva presso Chieri (TO)

T (+39) 011 198 218 39 - F (+39) 011 198 371 06

[INFO@ASIT-GE.COM](mailto:INFO@ASIT-GE.COM)

[WWW.ASIT-GE.COM](http://WWW.ASIT-GE.COM)



Member of CISQ Federation



CERTIFIED MANAGEMENT SYSTEM  
**ISO 9001**

Company with  
Certificate of Quality  
System ISO 9001:2015  
Cert n°38785/19/S