

NF.DPG3500

Pressure Range: 0 to 5000 psi
Temperature Compensation: -10 to +60°C
Unit Selection: Psi, Bar, Mpa, Kg/cm² available
Zero Adjustment
Weather Proof

DPG3500 Digital Pressure Gauge is designed to handle any applications by measuring air, liquid, and oil pressure. DPG3500 is using the most update temperature compensation technology, and the superior pressure meter equipped with variety of function such as unit selection, zero adjustment, and guarantee to long battery life, so it can be used for a variety of industrial and commercial applications without replacing battery for 3 years typical.



DPG-3500G

General Type

DPG3500W

Weather Proof

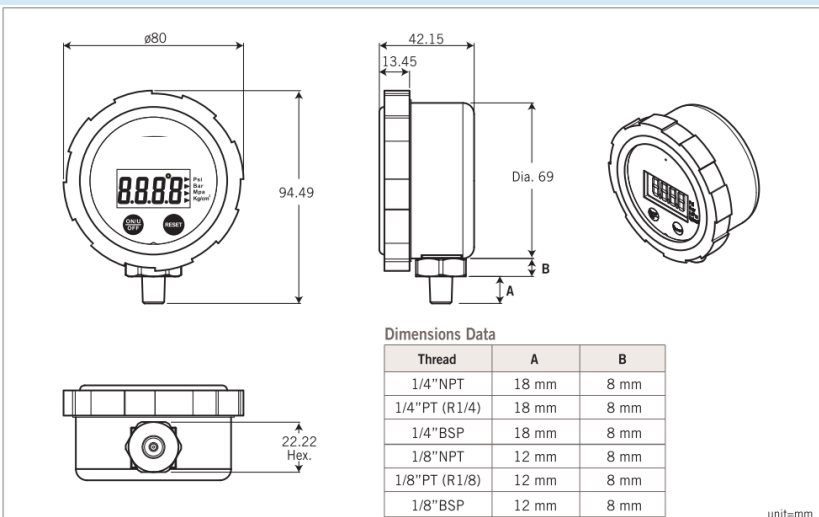
Approvals:



TECHNICAL DATA

Power Supply: Lithium Battery CR123A (3.0V, 1400mAh)
Sampling Rate: 1.2 sec. max.
Battery Life: Without Back-Lighted: 3 Years for continuous operation;
 Using Back-Lighted for 5secs (5 times per day): 1.5 Years for continuous operation
Pressure Range: 0~5000 PSI
Pressure Unit: Psi, Bar, Kg/cm², Mpa
Burst Pressure: 2 Time of F.S.
Resolution: 1/1500 maximum
Working Temperature: -10°C ~ +60°C
Working Humidity: 35~85% RH
Accuracy: ±1.0% F.S. (@25±3°C)
Port: Male thread 1/4"NPT, 1/4"PT (R1/4), 1/4"BSP, standard;
 1/8"NPT, 1/8"PT (R1/8), 1/8"BSP available
Wetted Parts Material: SS316L
Measure Media: Gas and Liquid (compatible with wetted parts material SS316L)
Weather Proof: only for DPG3500-W
Weight: approx. 0.3 kg

DIMENSIONS



Le caratteristiche dichiarate possono cambiare senza alcun preavviso



Per ordini:
 Tel.: +39 011 198 218 39
 E-mail: commerciale@asit-ge.com



DIGITAL PRESSURE GAUGE

NF.DPG3500

ORDERING INFORMATION

DPG3500	Code	Type								
	W	Weather proof type								
	G	General type								
			Code		Pressure Range					
			1	15 psi	2	50 psi	3	100 psi	4	200 psi
			5	300 psi	6	500 psi	7	1000 psi	8	3000 psi
			9	5000 psi						
			Code	Connection Port						
			A	1/8"NPT male						
			B	1/8"PT (R1/8) male						
			C	1/4"NPT male, standard						
			D	1/4"PT (R1/4) male, standard						
			E	1/8"BSP male						
			F	1/4"BSP male, standard						
			Code	Power Supply						
			A	Lithium Battery CR123A (3.0V, 1400mAh)						
DPG3500										

Complete Ordering Code

Le caratteristiche dichiarate possono cambiare senza alcun preavviso



Per ordini:
Tel.: +39 011 198 218 39
E-mail: commerciale@asit-ge.com



ASIT ITALIA S.r.l.

Sede operativa e Uffici

Via Quintino Sella, 6 - 10020 Riva presso Chieri (TO)

T +39 011 198 218 39 - F +39 011 198 371 06

<http://www.asit-ge.com> - info@asit-ge.com

