

## PRESSURE GAUGE WITH MICRO SWITCH WEATHER PROOF TYPE

### NF.PIS5000

**Proof Pressure to 40 MPa (400 kg/cm<sup>2</sup>)**  
**Measuring Range: 0~(-1) kg/cm<sup>2</sup> ;**  
**1~400 kg/cm<sup>2</sup> Available**

#### TECHNICAL DATA

- Dial:** ø4", ø6" available
- Material:** Bourdon tube SS316; Wetted parts SS316
- Housing:** SS304; option SS316 on request
- Protection Class:** IP66
- Lens:** Safety glass
- Blow-out:** Back ø25mm (1")
- Pressure Limited:** Over range protected 130% of full scale range
- Accuracy:** Gauge indication ±1.0% F.S
- Span Range & Zero Adjustable**
- Process Connection:** ½"NPT male Bottom or Back connection ;  
option with adaptor available
- Electronic Connection:** DIN43650, Universal plug connector;  
option with adaptor available
- Switch Form:** One setting point: SPDT x 1 ;  
Two setting points: SPDT x 2 available

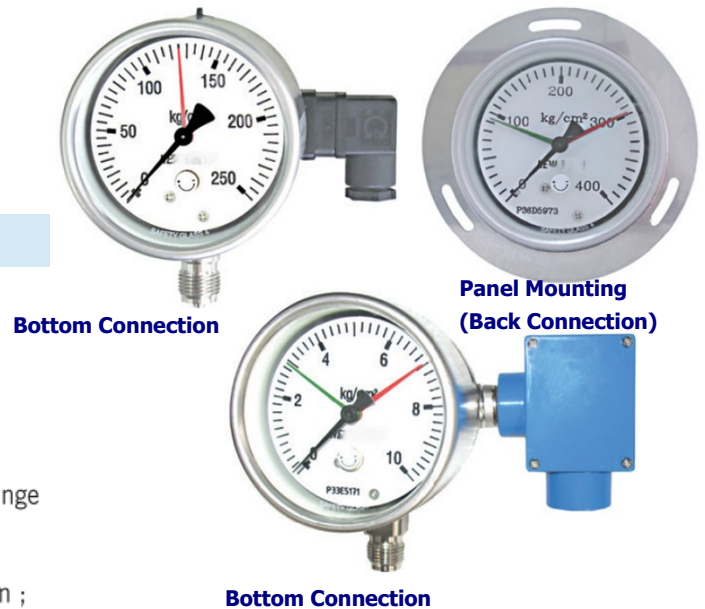
**NOTE.** Negative pressure only 「one setting point」 available.

**Set Point:** Full scale range available

**Switch Dead Band:** Please check the *Range Selection Table* for SPDT x 1 & SPDT x 2

**Switch Data:**

	AC Load	DC Load
Nominal Operating Voltage	250 VAC max.	28 VDC max.
Current	5A max.	5A max. (ohmic load) 3A max. (inductive load)
Contact Material	Pure silver 999.9	Pure silver 999.9
Ambient Temperature	-20°C~+70°C	-20°C~+70°C



#### Approvals:



#### Patent No.

M337067

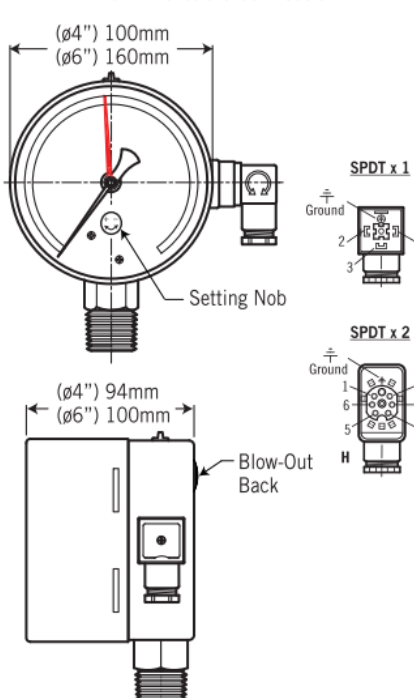


# PRESSURE GAUGE WITH MICRO SWITCH WEATHER PROOF TYPE

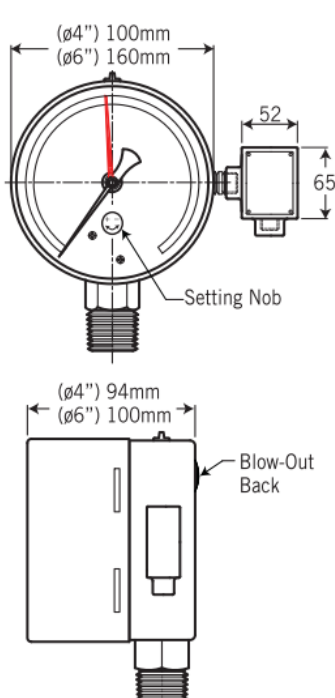
## NF.PIS5000

### DIMENSION-mm

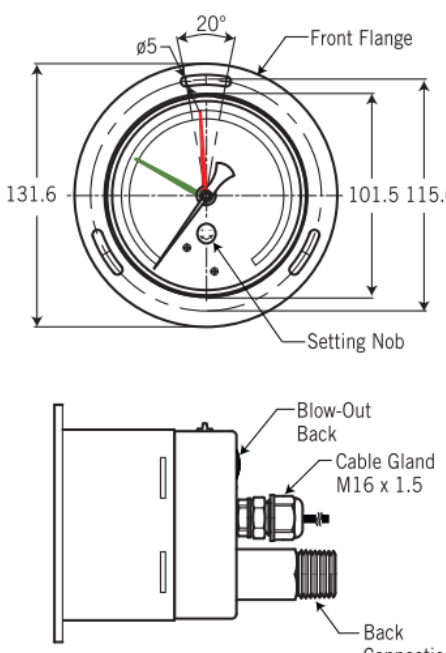
**1. Connection Size:** ½"NPT male, Bottom  
**Conduit:** Plug universal connector,  
M20 x 1.5 cable connection



**2. Connection Size:** ½"NPT male, Bottom  
**Conduit:** ½"NPT female



**3. Connection Size:** ½"NPT male, Back  
**Cable Gland:** M16 x 1.5



**NOTE.:** Please contact with the manufacturer for the dimensions of ø6" front flange.

### Range Selection Table—KG/CM<sup>2</sup>

Code	Range	Dead Band		Code	Range	Dead Band		Code	Range	Dead Band		Code	Range	Dead Band	
		SPDTx1	SPDTx2			SPDTx1	SPDTx2			SPDTx1	SPDTx2			SPDTx1	SPDTx2
000	0~(-1)	±2.5%		004	0~4	±2%	±4%	008	0~20	±2%	±2%	012	0~100	±2%	±2%
001	0~1	±2%	±5%	005	0~6	±2%	±2%	009	0~25	±2%	±2%	013	0~160	±2%	±2%
002	0~1.6	±2%	±4%	006	0~10	±2%	±2%	010	0~40	±2%	±2%	014	0~250	±2%	±2%
003	0~2.5	±2%	±4%	007	0~16	±2%	±2%	011	0~60	±2%	±2%	015	0~400	±2%	±2%

NOTE.: 1. Scale Unit: MPa, Kg/Cm<sup>2</sup>, Bar available  
 2. 1 bar= 0.1 MPa, 1 bar= 1.01972 kg/cm<sup>2</sup>, 1 Pa= 1 x 10<sup>-6</sup> MPa, 1 MPa= 10.197 kg/cm<sup>2</sup>  
 3. Negative pressure only "one setting point" available.

Le caratteristiche dichiarate possono cambiare senza alcun preavviso



Per ordini:  
Tel.: +39 011 198 218 39  
E-mail: commerciale@asit-ge.com





## ASIT ITALIA S.r.l.

### Sede operativa e Uffici

Via Quintino Sella, 6 - 10020 Riva presso Chieri (TO)

T +39 011 198 218 39 - F +39 011 198 371 06

<http://www.asit-ge.com> - [info@asit-ge.com](mailto:info@asit-ge.com)

