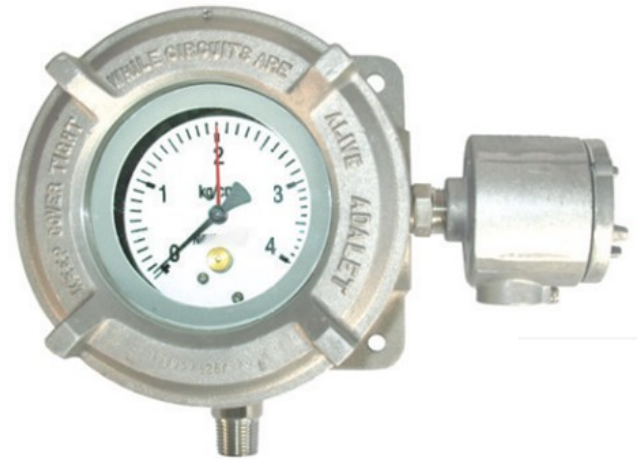


PRESSURE GAUGE WITH MICRO SWITCH EXPLOSION PROOF TYPE

NF.PIS5000W

**Explosion Proof Type
Micro Switch
Measuring Range: (-1)~2500 kg/cm² Available**



TECHNICAL DATA

Material: Bourdon tube SS316; Wetted parts SS316
Housing: Die cast aluminum alloy, and SS316 available
Dial: ø6"
Process Connection: 3/8", 1/2"NPT male; option with adaptor available
Electronic Connection: 1/2" or 3/4" NPT, G female thread, or M20xP1.5, M25xP1.5 available
Accuracy: Gauge indication ±1.0% F.S
Pressure Limited: Over range protected 130% of full scale range
Switch Form: One setting point: SPDT x 1 or Two setting points: SPDT x 2 available
NOTE. Negative pressure only 「one setting point」 available.

Set Point: Full scale range available

Switch Dead Band: Please check the *Range Selection Table* for SPDT x 1 & SPDT x 2

Switch Data:

	AC Load	DC Load
Nominal Operating Voltage	250 VAC max.	28 VDC max.
Current	5A max.	5A max. (ohmic load) 3A max. (inductive load)
Contact Material	Pure silver 999.9	Pure silver 999.9
Ambient Temperature	-20°C~+70°C	-20°C~+70°C

Approvals:



TD0400TJ

工電(2016)第00133號
(ITRI)2018第07-00017號

Switches with UL & CSA
Recognized and File No.
E12252.

Patent No.

M337067

RANGE SELECTION TABLE—KG/CM²

Code	Range	Dead Band		Code	Range	Dead Band	
		SPDTx1	SPDTx2			SPDTx1	SPDTx2
000	0~(-1)	±2.5%		009	0~25	±2%	±2%
001	0~1	±2%	±5%	010	0~40	±2%	±2%
002	0~1.6	±2%	±4%	011	0~60	±2%	±2%
003	0~2.5	±2%	±4%	012	0~100	±2%	±2%
004	0~4	±2%	±4%	013	0~160	±2%	±2%
005	0~6	±2%	±2%	014	0~250	±2%	±2%
006	0~10	±2%	±2%	015	0~400	±2%	±2%
007	0~16	±2%	±2%	016	Optional		
008	0~20	±2%	±2%				

- Scale Unit: MPa, Kg/Cm², Bar available
- 1 bar= 0.1 MPa, 1 bar= 1.01972 kg/cm²,
1 Pa= 1 x 10⁻⁶ MPa, 1 MPa= 10.197 kg/cm²
- Negative pressure only "one setting point" available.

Le caratteristiche dichiarate possono cambiare senza alcun preavviso

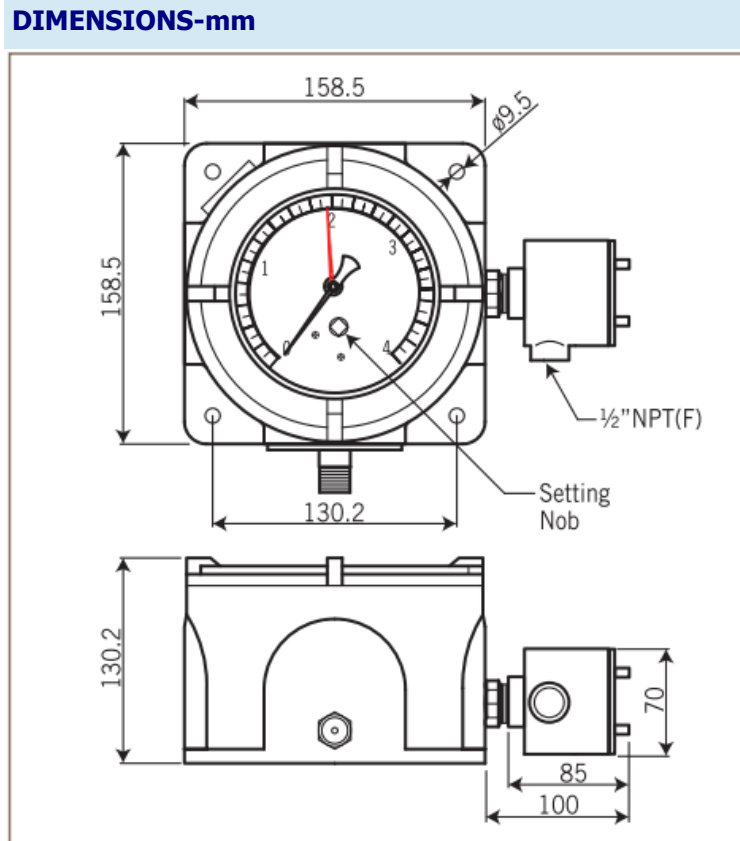


Per ordini:
Tel.: +39 011 198 218 39
E-mail: commerciale@asit-ge.com



PRESSURE GAUGE WITH MICRO SWITCH EXPLOSION PROOF TYPE

NF.PIS5000W



ORDERING INFORMATION

PIS5000X	Code	Process Connection	Code	Explosion Proof Type / Housing Material	
			(1) 3/8" NPT male (2) 1/2" NPT male (3) option	A	<i>Certificate on Housing Only / Aluminum alloy</i> Class I, Groups B, C & D; Class II, Groups E, F & G; NEMA 4,7,9
			Code Conduit Connection (Female)	B	<i>Taiwan Explosion Proof Certification / Aluminum alloy</i> Ex d IIB + H2 T6 Gb
			(A) 1/2" NPT (B) 3/4" NPT (C) G1/2" (D) G3/4" (E) M20 x P1.5 (F) M25 x P1.5 (O) Option	B1	<i>Taiwan Explosion Proof Certification / SS316</i> Ex d IIB + H2 T6 Gb
		Code Wetted Parts Material		Code Switch Rating	
		S SS316		5A / 250VAC	
		Code Switch Function		5A / 28VDC	
		1 One setting point SPDT x 1		3A / 28VDC	
		2 Two setting point SPDT x 2			
		Code Measuring Range			
	Please refer to the selection table and fill in the request range.				
Complete Ordering Code					

Le caratteristiche dichiarate possono cambiare senza alcun preavviso



Per ordini:
Tel.: +39 011 198 218 39
E-mail: commerciale@asit-ge.com



ASIT ITALIA S.r.l.

Sede operativa e Uffici

Via Quintino Sella, 6 - 10020 Riva presso Chieri (TO)

T +39 011 198 218 39 - F +39 011 198 371 06

<http://www.asit-ge.com> - info@asit-ge.com

