

## DIFFERENTIAL PRESSURE GAUGE

### NF.DPH

DPH series consist of high and low pressure ports.  
Spring magnet couple with pointer. Differential pressure indicated on dial due to  $\Delta P$  pressure of high side and low side be made from magnet couple with pointer.

#### TECHNICAL DATA

**Dial Size:**  $\varnothing 4''$ ,  $\varnothing 6''$  available  
**Accuracy:**  $\pm 2\%$  F.S (on rising pressure)  
**Housing Material:** 316 stainless steel  
**Housing Protection:** IP66  
**Pressure Element:** Wetted parts all in SS316  
**Process Connection:**  $\frac{1}{4}''$ NPT(F); option with adaptor available  
**Working Pressure:** 200 kg/cm<sup>2</sup>  
 (Both of High & Low side must be pressured on line at the same time.)  
**Working Temperature:** max. 80°C



#### Approvals:



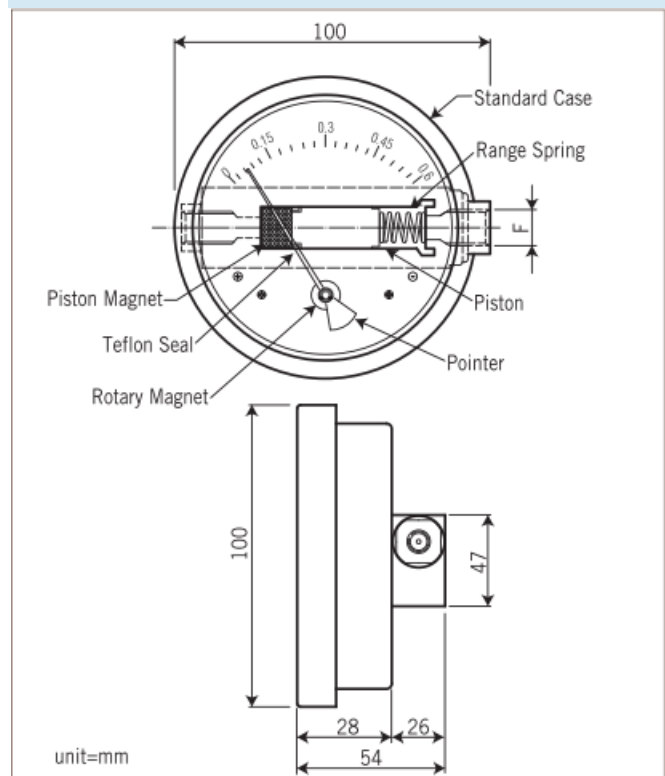
#### Patent No.

M449263  
China: ZL 2012 2 0666839.5

#### RANGE SELECTION TABLE

Code	Range	
	psi	kg/cm <sup>2</sup>
09R	0~9	0~0.6
11R	0~11	0~0.75
14R	0~14	0~1
30R	0~30	0~2
40R	0~40	0~2.5
60R	0~60	0~4
100R	0~100	0~7
140R	0~140	0~10
200R	0~200	0~14

#### DIMENSIONS



Le caratteristiche dichiarate possono cambiare senza alcun preavviso



Per ordini:  
Tel.: +39 011 198 218 39  
E-mail: commerciale@asit-ge.com



# DIFFERENTIAL PRESSURE GAUGE

## NF.DPH

### ORDERING INFORMATION

DPH	Code	Dial Size		
↓	A	ø4"	B ø6"	
	↓	Code	Range	
		09R	0~9 psi	11R 0~11 psi
	14R	0~14 psi	30R 0~30 psi	
	40R	0~40 psi	60R 0~60 psi	
	100R	0~100 psi	140R 0~140 psi	
	200R	0~200 psi		
	↓	Code	Wetted Parts Material	
		A	SS316	
		Code	Process Connection	
↓	1	¼"NPT Female		
	2	Option (with adaptor)		
DPH				
Complete Ordering Code				

Le caratteristiche dichiarate possono cambiare senza alcun preavviso



Per ordini:  
Tel.: +39 011 198 218 39  
E-mail: commerciale@asit-ge.com



## ASIT ITALIA S.r.l.

### Sede operativa e Uffici

Via Quintino Sella, 6 - 10020 Riva presso Chieri (TO)

T +39 011 198 218 39 - F +39 011 198 371 06

<http://www.asit-ge.com> - [info@asit-ge.com](mailto:info@asit-ge.com)

