

INEXPENSIVE MICROFLOW TYPE

OC.CoriMateII



GENERAL SPECIFICATIONS

Item	Description		
Model	CR002	CR003	CR004
Materials	Wetted parts SUS316L and SCS16A (*1)		
	Base ADC12 ADC12 SUS304		
	Housing and cover ADC12		
	Display shield Polycarbonate		
Process connection	Rc 1/8		
Acceptable fluid	Liquid (Density range: 0.3 to 2.0 g/mL)		
Operating temperature range	-10 to +60°C (Free of dew condensation)		
Max. operating pressure	2MPa		
Flow directions	Forward flow only		
Power supply (*2)	20 to 30VDC		
Power consumption	Max.10W		
Furnished cable	AWG24x7 conductor, φ6.8x3m		
Dustproof, waterproof construction	IP66		
Installation	<ul style="list-style-type: none"> Horizontal installation (clamp not required) Vertical installation (Bolthole provided) 		
Display	Backlit dot matrix: 8 digits		
Variables displayed	Instant mass flow, mass flow total, temperature		
Weight	Approx. 3kg	Approx. 3kg	Approx. 6.5kg
Communication interface	Bell 202 (using the HART protocol)		
Pulse output (*3)	Mass flow total open collector output (30V, 50mADC max.) FS: 0.1 to 10000Hz selectable •CR002:0.01g/P at 125Hz •CR003:0.01g/P at 500Hz •CR004:0.1g/P at 450Hz 4 to 20mADC Max. load 600Ω Instant mass flowrate Damping: 1 sec. (std.)		
Analog output (*3)	•CR002:0 to 75g/min •CR003:0 to 300g/min •CR004:0 to 2700g/min		
Applicable EU directive	EMC directive : 2004/108/EC		

(*1): Corrosion resistance of nickel brazing used in wetted parts is equivalent to SUS314.

(*2): SU1503 power unit is acceptable to this meter. (SU1303 power unit cannot be applied.)

(*3): The pulse output at the time of the shipment and analog output are standard setting. (Setting change possible)

GENERAL PERFORMANCE

Item	Description			
Model	CR002	CR003	CR004	
Flow rate (Liquid)	Max. Flow rate g/min	75	300	2700
	Min. Analog range g/min	5	20	180
	Cutoff g/min (*1)	1.5	6	54
	Factory calibration accuracy	±0.1% of F.SF. (Below 33% of flow rate) ±0.3% RD. (33% to 100% of flow rate)		
	Repeatability	±0.07% of F.SF. (Below 33% of flow rate) ±0.2% RD. (33% to 100% of flow rate)		
	Analog accuracy	Accuracy ±0.1% of full scale		

(*1) : The flow rate (output signal and indication level) becomes zero at cutoff level or lower. (Setting change by the customer is available.)

PRODUCT CODE EXPLANATION

Item	Product Code													Description		
	①	②	③	④	⑤	⑥	-	⑦	⑧	-	⑨	⑩	⑪		⑫	⑬
Model	C	R														CoriMate
Nominal size		0	0	2												0.7mm, Flow range (g/min): 2.5 to 75, Rc 1/8
		0	0	3												1.5mm, Flow range (g/min): 10 to 300, Rc 1/8
		0	0	4												3mm, Flow range (g/min): 90 to 2700, Rc 1/8
Structural category	D	-														CoriMate II
Material		S	S	-												SUS316L
Process connection								2								Screw connection
Connection rule									0							Always "0"
Pressure category										0						Always "0"
Transmitter construction														N		Non-explosionproof, integral type transmitter
Version code															B	

Le caratteristiche dichiarate possono cambiare senza alcun preavviso



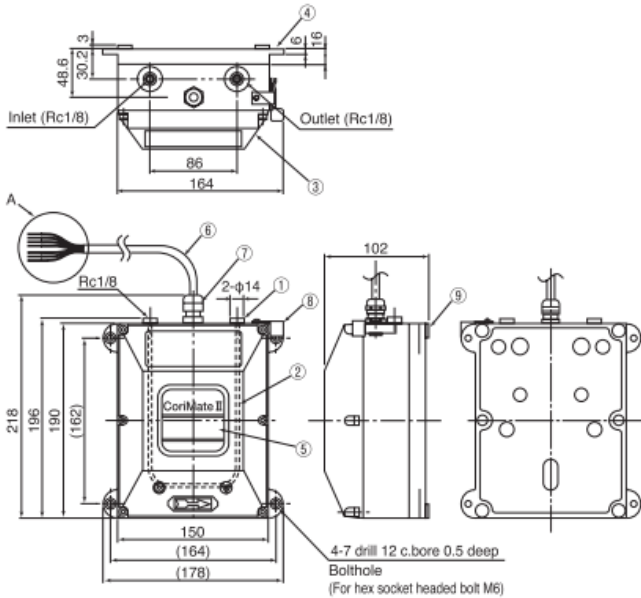
Per ordini:
Tel.: +39 011 198 218 39
E-mail: commerciale@asit-ge.com

INEXPENSIVE MICROFLOW TYPE

OC.CoriMateII

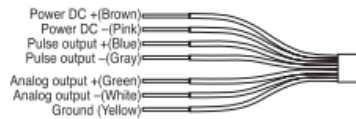
OUTLINE DIMENSIONS

●CR002 and CR003



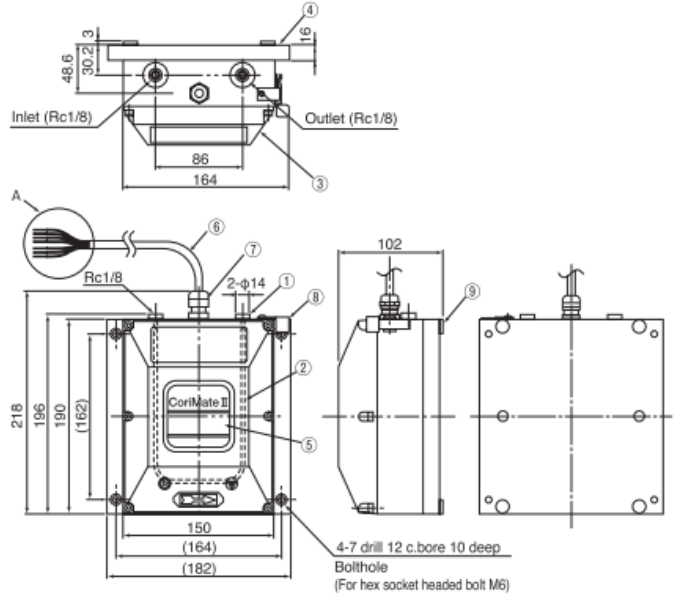
No.	Name
①	Nozzle
②	Flowtube
③	Housing and Cover
④	Base
⑤	Display shielding
⑥	Interconnect Cable (7-conductor, shielded)
⑦	Cable Gland
⑧	Magnet for Switching
⑨	Base pad

Detail of A (Wiring)



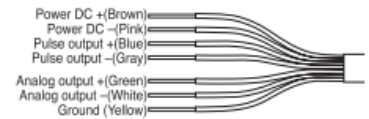
●CR004

Unit in mm



No.	Name
①	Nozzle
②	Flowtube
③	Housing and Cover
④	Base
⑤	Display shielding
⑥	Interconnect Cable (7-conductor, shielded)
⑦	Cable Gland
⑧	Magnet for Switching
⑨	Base pad

Detail of A (Wiring)



Le caratteristiche dichiarate possono cambiare senza alcun preavviso



Per ordini:
Tel.: +39 011 198 218 39
E-mail: commerciale@asit-ge.com



ASIT ITALIA S.r.l.

Sede operativa e Uffici

Via Quintino Sella, 6 - 10020 Riva presso Chieri (TO)

T +39 011 198 218 39 - F +39 011 198 371 06

<http://www.asit-ge.com> - info@asit-ge.com

