

Pressure Sensor

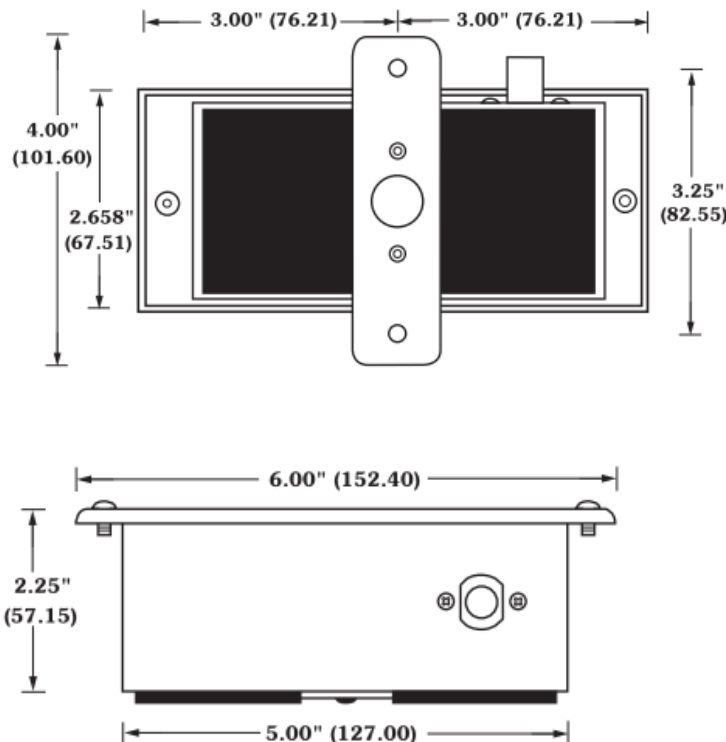
Model PR-264-R6-MA

Pressure Sensor PR-264-R6-MA

The PR-264 incorporates sophisticated integrated circuits and a new fused silicon monolithic cavity pressure sensor to not only provide a high-level, fully-conditioned and temperature compensated output, but also to offer up to three (3) field selectable pressure ranges in one unit. The field selectable feature eliminates costly inefficiencies by providing a single unit which can be configured to cover all the pressure ranges for a particular application. For instance, 25.0, 50.0, and 100.0 psig in one unit. The stainless steel monolithic pressure cavity not only provides media compatibility for most of the applications, but also offers a leak-proof solution for today's environment conscious customers. Two industry standard output versions are available, 4-20mA 2-wire loop or field selectable 0-5 VDC/0-10 VDC. Wide 12-40 VDC or 12-35 VAC unregulated supply voltage and a broad 0°F - 180°F compensated temperature range ensures compatibility to most of the applications. Rugged NEMA 4 (IP-65) enclosure, gasketed cover, external mounting bracket, fully temperature compensated NIST traceable accuracy and a liberal five year warranty are some of the features which make the PR-264 the industry's most reliable, rugged, and economical pressure sensor.

Ordering Information

Range	Output
R6 (kPa) 0 to 3500 / 0 to 1750 / 0 to 875	mA (4-20 mA 2-wire)



CONFORMANCE & TESTING:

RoHS Compliant

EMC Testing:

BS EN 55022:1998, BS EN 55024:1998,
EN 61000-3-3, EN 61000-4-2,
EN 61000-4-3, EN 61000-4-4,
EN 61000-4-5, EN 61000-4-6,
EN 61000-4-11



Le caratteristiche dichiarate possono cambiare senza alcun preavviso



Per ordini:
Tel.: +39 011 198 218 39
E-mail: commerciale@asit-ge.com



ASIT ITALIA S.r.l.

Sede operativa e Uffici

Via Quintino Sella, 6 - 10020 Riva presso Chieri (TO)

T +39 011 198 218 39 - F +39 011 198 371 06

<http://www.asit-ge.com> - info@asit-ge.com

