

RESISTANCE THERMOMETER – MEASURING INSERT

AI.ASPT/inserto

APPLICATION:

The measuring inserts TPtMiAo and TPtMiAoT according to DIN 43 735 are intended for installation into protective fittings for electrical thermometers with connection heads form B according to DIN EN 50 446, e.g. as spare part for resistance thermometers (data sheets 8520–8531). If used properly, the measuring inserts can be replaced during operation.

For both models, we offer various measuring resistors according to DIN EN 60 751.

In addition, model TPtMiAoT is available with several fitted transmitters with analogue or digital output.

STANDARD VERSIONS:

Measuring Element

Platinum thin-film measuring resistor Pt100 according to DIN EN 60 751 in 2-, 3- or 4-wire connection as single or dual measuring resistor

Operating Temperature Range

–200 °C to +600 °C (–328 °F to +1112 °F)

Ambient Temperature Ranges¹⁾

TPtMiAo: –40 °C to +100 °C (–40 °F to +212 °F)

TPtMiAoT: –40 °C to +85 °C (–40 °F to +185 °F)

Accuracy

Class A or B according to DIN EN 60 751

Recommended Measuring Current

0.2 – 1 mA

Temperature Sensor

Made of sheathed, mineral insulated cable

Sheath material: stainless steel 1.4404 (316L)

Insulation: MgO

Diameter (d): 3 ±0.05 or 6 ±0.06 mm

Min. bending radius: 5-fold diameter (d)

Spring travel: approx. 7 mm (0.28")

Degree of Protection (DIN EN 60 529)

IP 00²⁾

Output Signal

Model TPtMiAo: resistance according to DIN EN 60 751

Model TPtMiAoT: 4...20 mA, HART® or PROFIBUS® PA / FOUNDATION™ Fieldbus



SPECIAL VERSION AND FURTHER OPTIONS:

- Measuring insert diameter 4.5 mm (0.18") or 8 mm (0.31")
- Other basic values (e.g. Pt500, Pt1000) and limited tolerances (e.g. 1/3 cl. B, 1/5 cl. B)
- Measuring resistor wire-wound in ceramic –200 °C to +800 °C (–328 °F to +1472 °F)
- Special sheath materials
- Other head-mount transmitters, also with voltage output
- Version without ceramic terminal block for the subsequent mounting of transmitters

Le caratteristiche dichiarate possono cambiare senza alcun preavviso

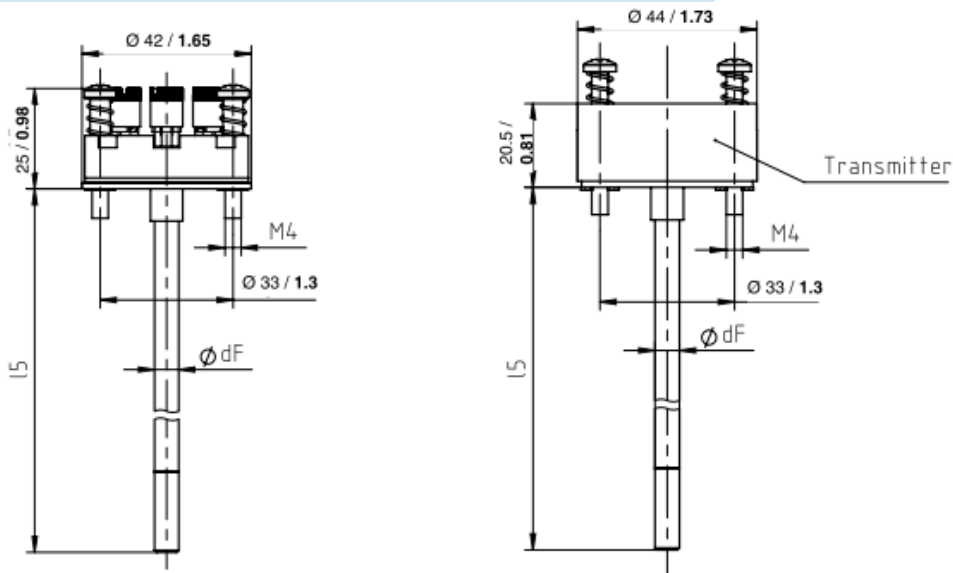


Per ordini:
Tel.: +39 011 198 218 39
E-mail: commerciale@asit-ge.com

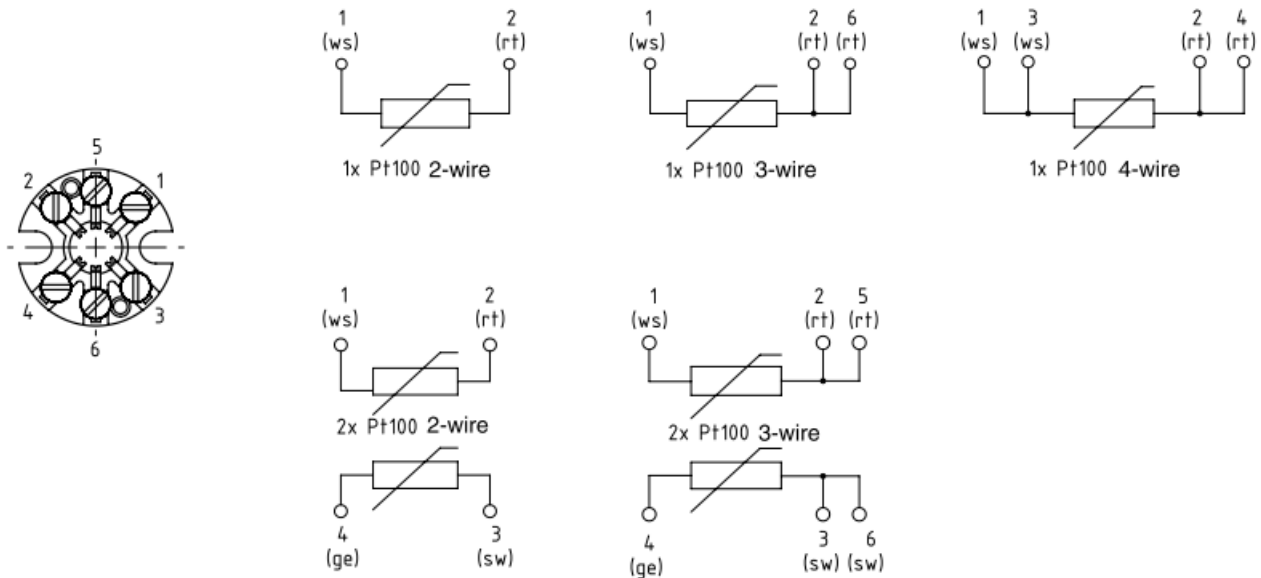
RESISTANCE THERMOMETER – MEASURING INSERT

AI.ASPT/inserto

DIMENSIONAL DATA:



ELECTRICAL CONNECTION:



DIMENSIONAL DATA AND WEIGHTS

$\varnothing d$	$\varnothing d1$	approx. weight ¹⁾	
		TPtMiAo	TPtMiAoT
3 / 0.12	6 / 0.24	0.13 / 0.29	0.12 / 0.26
6 / 0.24	8 / 0.31	0.15 / 0.33	0.15 / 0.33

Le caratteristiche dichiarate possono cambiare senza alcun preavviso



Per ordini:
Tel.: +39 011 198 218 39
E-mail: commerciale@asit-ge.com



RESISTANCE THERMOMETER – MEASURING INSERT

AI.ASPT/inserto

ORDERING INFORMATION:

Basic Model:	Resistance Thermometer – Measuring Insert		TPTMiAo
Transmitter	without		without code letters
	with fitted transmitter		T
Measuring resistor	Pt100 DIN EN 60 751, class A		A
	Pt100 DIN EN 60 751, class B		B
No. of measuring resistors	1		1
	2		2 ¹⁾
Switching type	2-wire connection		2L
	3-wire connection		3L
	4-wire connection ¹⁾		4L
Measuring insert Ø	dF = 3 mm (0.12")		3 mm
	dF = 6 mm (0.24")		6 mm
Installation length	I5 in mm	e.g.	I5 = 200 mm
Further options	with fitted transmitter	TT5331: 4...20 mA	5331-A, 5331-D
		TT5333: 4...20 mA ²⁾	5333-A, 5333-D
		TT5337: 4...20 mA + HART 7	5337-A, 5337-D
		TT5350: PROFIBUS [®] PA / FOUNDATION [™] Fieldbus	5350-A, 5350-B
	scaling of the 4...20 mA signal to the temperature range	e.g.	0 °C to +250 °C
crimped-on tube sleeve 50 mm (1.97") for alignment to the internal thermowell diameter	Ø 8 mm (0.31")		R8
	Ø 10 mm (0.39")		R10

Le caratteristiche dichiarate possono cambiare senza alcun preavviso



Per ordini:
Tel.: +39 011 198 218 39
E-mail: commerciale@asit-ge.com



ASIT ITALIA S.r.l.

Sede operativa e Uffici

Via Quintino Sella, 6 - 10020 Riva presso Chieri (TO)

T +39 011 198 218 39 - F +39 011 198 371 06

<http://www.asit-ge.com> - info@asit-ge.com

