

AI.ASTC/stelo

APPLICATION:

The sheathed thermocouple models TTeMiL, TTeMiD, TTeMiST and TTeMiSL consist of a temperature sensor, made of sheathed, mineral insulated cable, and a connection cable and/or plug connector. They are versatile for temperature measurements.

For all models, we offer various thermocouples according to DIN EN 60 584, thermocouple plug connectors as well as connection cables.

STANDARD VERSION:

Version

TTeMiL:	with connection cable
TTeMiD:	with connecting wires
TTeMiST:	plug connector acc. to DIN EN 50 212
TTeMiSL:	plug connector LEMO series S

Measuring Element

Thermocouple types K, N, J and S according to DIN EN 60 584 as single or dual element

Operating Temperature Ranges

Type K (NiCr-Ni):	-40 °C to +1175 °C (-40 °F to +2147 °F) ¹⁾
Type N (NiCrSi-NiSi):	-40 °C to +1175 °C (-40 °F to +2147 °F) ¹⁾
Type J (Fe-CuNi):	-40 °C to +750 °C (-40 °F to +1382 °F)
Type S (Pt10Rh-Pt):	0 °C to +1175 °C (+32 °F to +2147 °F) ¹⁾

Ambient Temperature Ranges²⁾

Models TTeMiL, TTeMiD:	-40 °C to +120 °C (-40 °F to +248 °F)
Model TTeMiSL:	-55 °C to +200 °C (-67 °F to +392 °F)
Model TTeMiST:	-55 °C to +220 °C (-67 °F to +392 °F)

Accuracy

Class 1 according to DIN EN 60 584

Tolerance value³⁾ J, K, N: +1.5 °C or 0.004 · Itl

for type J in the range: -40 °C to +750 °C (-40 °F to +1382 °F)

for type K, N in the range: -40 °C to +1000 °C (-40 °F to +1832 °F)

Tolerance value³⁾ S: +1.0 °C or (1+(t-1100)·0.003) °C

in the entire operating temperature range

Temperature Sensor

Made of sheathed, mineral insulated cable

Sheath material: Inconel 600 (2.4816) for type K, N, S
1.4401 for type J

Insulation: MgO

Diameter (dF): 0.5, 1.0, 1.5, 2, 3 or 6 mm
(0.02, 0.04, 0.06, 0.08, 0.12, 0.24")

Min. bending radius: 5-fold diameter (Ø dF)

Hot Junction

Hot junction insulated

Colour Coding

Connection cable and plug connector according to DIN EN 60 584

SPECIAL VERSIONS:

- Other sheath diameter
- Other thermocouples
- Other connection cables
- Other colour codings, e.g. according to ANSI MC 96.1
- Hot junction welded to sheath
- Triple elements
- Special sheath materials



Le caratteristiche dichiarate possono cambiare senza alcun preavviso

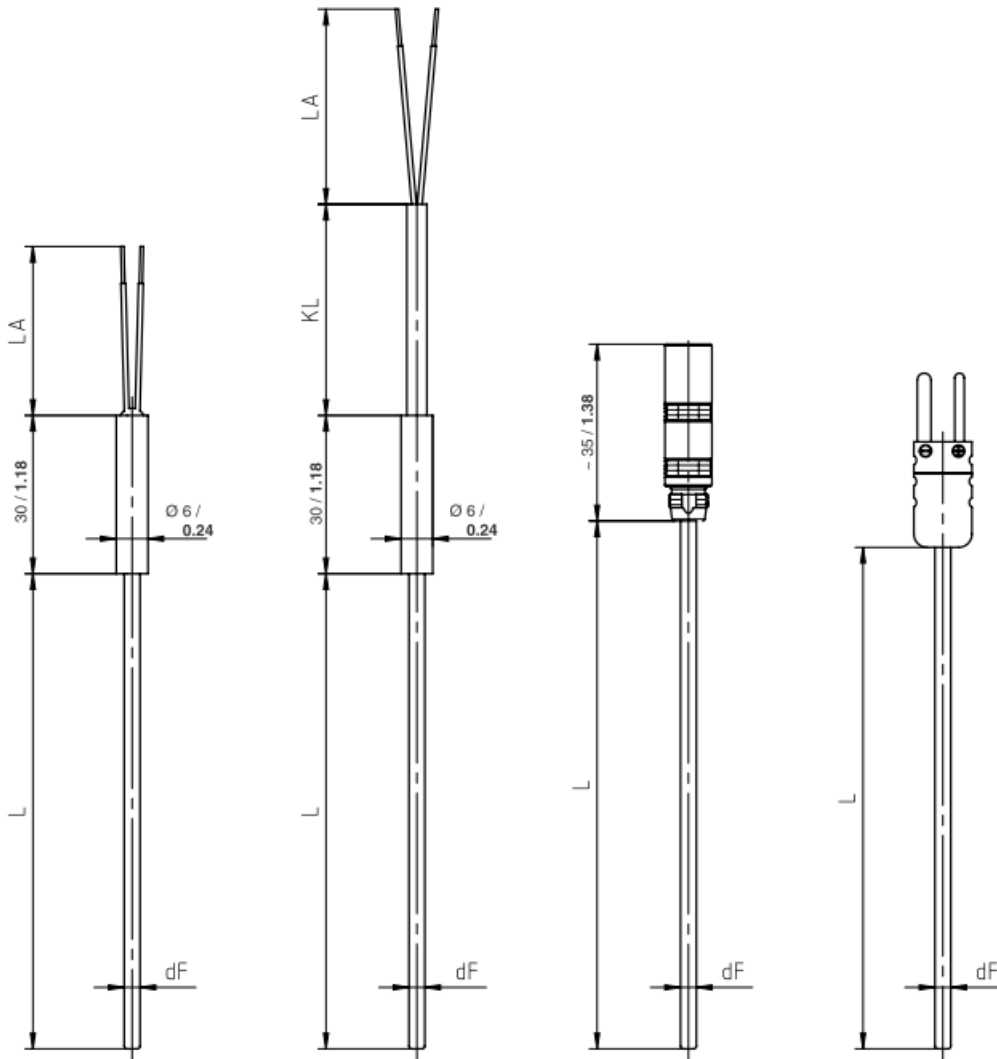


Per ordini:
Tel.: +39 011 198 218 39
E-mail: commerciale@asit-ge.com

SHEATHED THERMOCOUPLE

AI.ASTC/stelo

DIMENSIONAL DATA:



CONNECTION CABLE:

Material	Types	Temperature range
PFA	KX, NX, JX, SX	-200 / +250 °C (-328 / +482 °F)
silicone	KC, NC, JC, SC	-50 / +180 °C (-58 / +356 °F)

Degree of Protection (DIN EN 60 529)
IP65

Le caratteristiche dichiarate possono cambiare senza alcun preavviso



Per ordini:
Tel.: +39 011 198 218 39
E-mail: commerciale@asit-ge.com

SHEATHED THERMOCOUPLE

AI.ASTC/stelo

ORDERING INFORMATION:

Basic Model:	Sheathed Thermocouple	TTeMi
Version:	with connection cable	L
	with connecting wires	D
	with plug connector LEMO series S ¹⁾	SL
	with plug connector according to DIN EN 50 212	ST
Thermocouple:	type K, NiCr-Ni	K
	type N, NiCrSi-NiSi	N
	type J, Fe-CuNi	J
	type S, Pt10Rh-Pt	S
No. of thermocouples:	1	1
	2	2
Sheath Ø dF:	0.5 mm (0.02")	dF = 0.5 mm
	1.0 mm (0.04")	dF = 1 mm
	1.5 mm (0.06")	dF = 1.5 mm
	2.0 mm (0.08")	dF = 2 mm
	3.0 mm (0.12")	dF = 3 mm
	6.0 mm (0.24")	dF = 6 mm
Sheath length:	L in mm	e.g. L = 250 mm
Length of the connection cable:	KL in mm	e.g. KL = 5000 mm
Length of the connecting wires:	LA in mm	e.g. LA = 50 mm
Connection cable termination:	free connecting wires	D
	with plug connector LEMO series S	SL
	with plug connector according to DIN EN 50 212	ST
Size of the plug connector:	standard ²⁾	S
	miniature ²⁾	M
	size 0 ³⁾	0
	size 1 ³⁾	1
	size 2 ³⁾	2
Gender of the plug connector:	male, plug	M
	female, coupling	F

Le caratteristiche dichiarate possono cambiare senza alcun preavviso





ASIT ITALIA S.r.l.

Sede operativa e Uffici

Via Quintino Sella, 6 - 10020 Riva presso Chieri (TO)

T +39 011 198 218 39 - F +39 011 198 371 06

<http://www.asit-ge.com> - info@asit-ge.com

