

TUNING FORK VIBRATING LEVEL SWITCH

MODEL AI.VLS5000



TECHNICAL DATA

Housing: IP68

Explosion Proof:

Class I, Groups A, B, C, D;

Class II, Groups E, F, G; NEMA 4X

VLS5000 Series are assembled with a tuning fork and energized sensor.
It vibrates frequently with mechanical resonance to detect the liquid level when the tuning fork is immersed into process liquid.

Wetted part material: 316 stainless steel

Thread connection: 1" NPT, 1" BSP

Flange connection: from 1" to 3", JIS, ANSI, DIN, and Clamp available

Detection length: minimum 130 mm maximum 400 mm

Working temperature: -30°C~+80°C

Working pressure: maximum 100 kg/cm², up to 400 kg/cm² on request

Liquid viscosity: 0.2~10000 mpas

Liquid density: 0.6 g/cm³~2.5 g/cm³

Housing: IP68

Explosion Proof: Class I, Groups A, B, C, D; Class II, Groups E, F, G; NEMA 4X

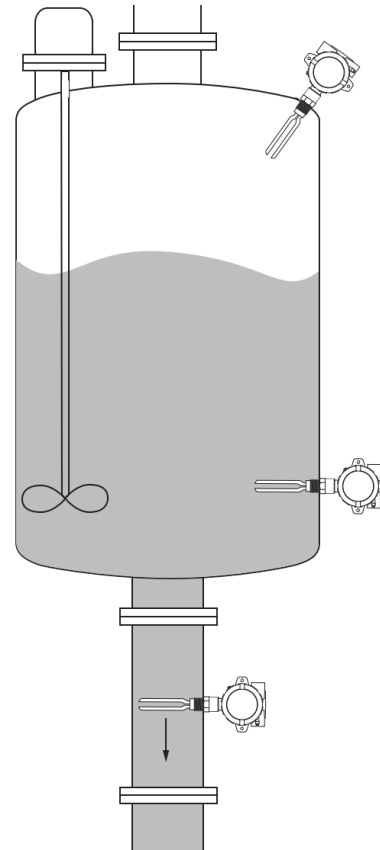
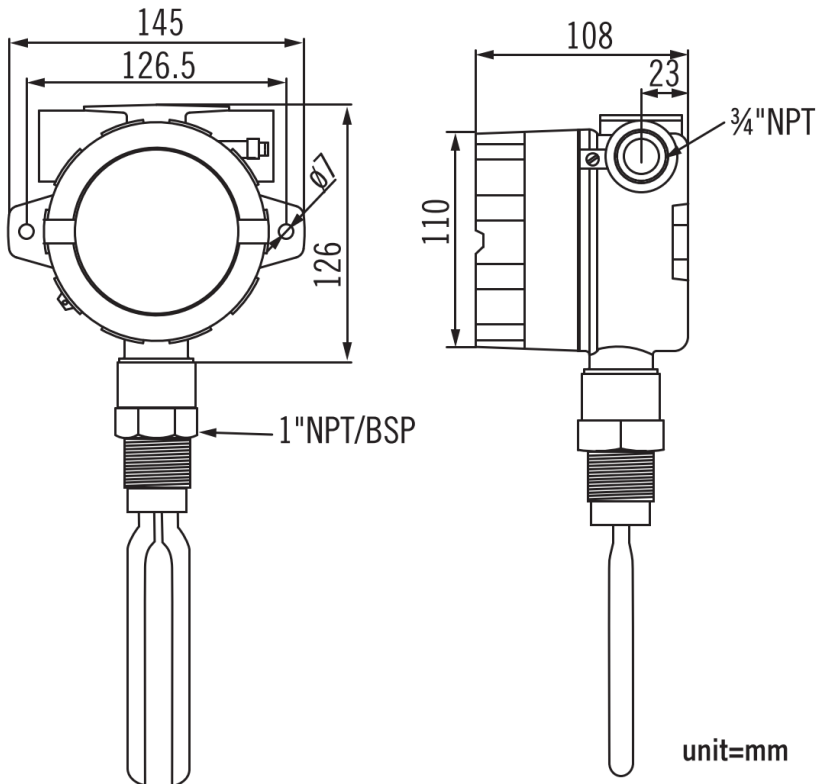
Power Supply: 110VAC, 220VAC, 24VDC

Contact Form: SPDT

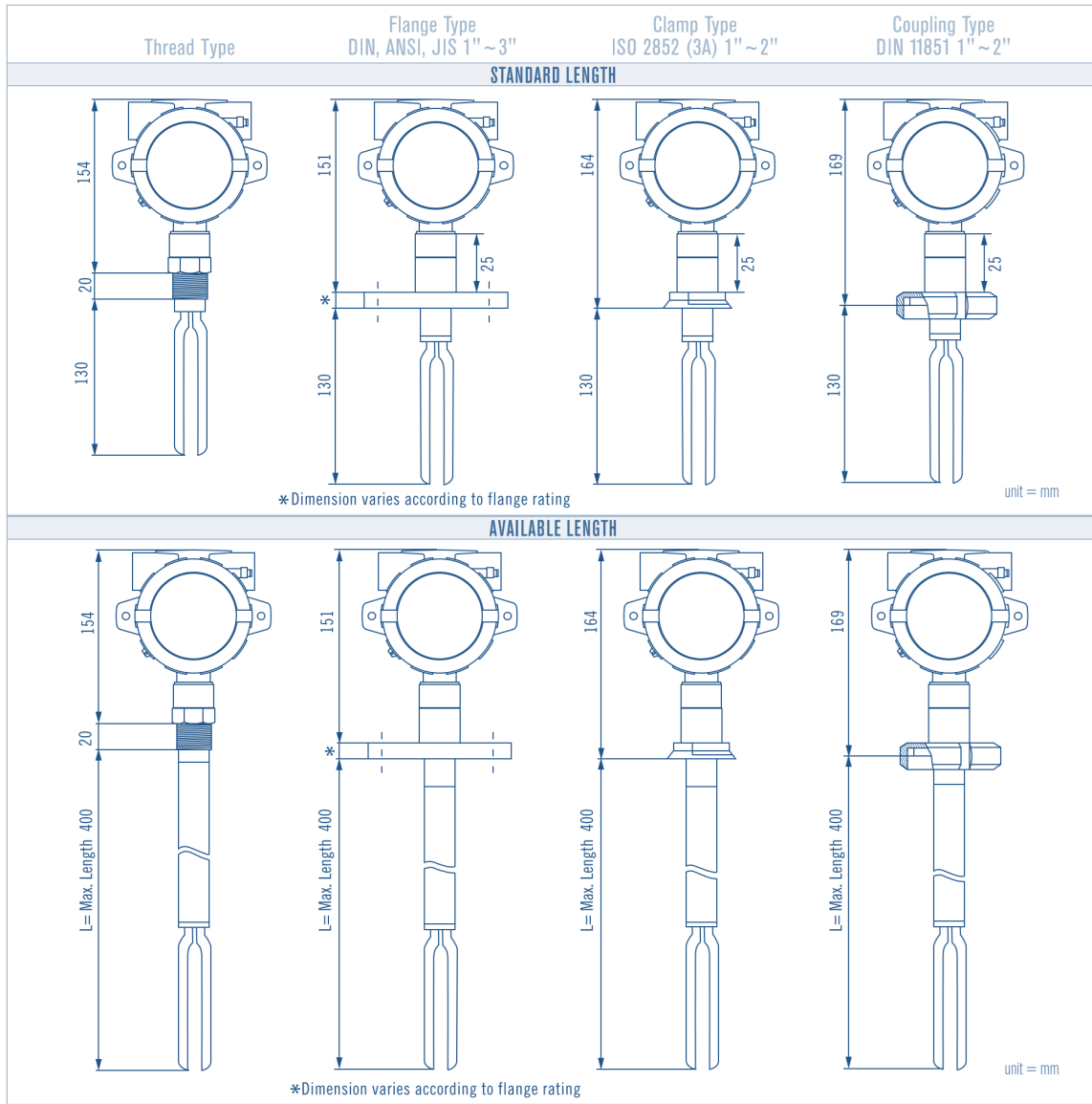
Contact Rating: 20A/125VAC, 12A/250VAC

HOUSING DIMENSIONS

APPLICATION AND INSTALLATION



PROCESS CONNECTION



ORDERING INFORMATION

VLS5000	Code	Process Connection
		(1) Thread type (2) Flange type (3) Clamp type (4) Coupling type
	Code	Connection Size
		(A) 1" (Thread only) (B) 1½" (C) 2" (D) 3"
	Code	Connection Rating
		Thread: (1) NPT (2) BSP Flange: (3) JIS10K (4) JIS20K (5) ANSI 150# (6) ANSI 300# (7) PN10 (8) PN16 (9) PN25 (0) Option: fill in the requested rating _____
	Code	Electronic Connection
		(E) ¾"NPT Female, Standard (F) ½"NPT Female
	Code	Insertion Length
	S	Standard
	L	Fill in the requested length ie: L=300mm
	Code	Power Supply
		(A) 110VAC (B) 220VAC (C) 24VDC
VLS5000		Complete Ordering Code

Tel.: +39 011 198 218 39 - E-mail: info@asit-ge.com - www.asit-ge.com

Le caratteristiche dichiarate possono cambiare senza alcun preavviso



ASIT ITALIA S.R.L.

Sede operativa e Uffici
Via Quintino Sella, 6
10020 Riva presso Chieri (TO)
T (+39) 011 198 218 39 - F (+39) 011 198 371 06

INFO@ASIT-GE.COM

WWW.ASIT-GE.COM



Company with
Certificate of Quality
System ISO 9001:2015
Cert n°38785/19/S