

FLOW SIGHT GLASS GAUGE

AI.FW Series



FW-1
(Single Window)

FW-2
(Double Window)



FW-3
(Flange, Double Window)



FW-4
(Double Window
With high pressure)



TECHNICAL DATA

Service: For gases and liquid

Wetted Parts Material: Body - SS304, SS316, SS316L and (Duplex stainless steel-A890 for FW-2/FW-3)
Window - Tempered glass; Gasket - Teflon;
Impeller - (1)ABS plastic, (2)PVDF, (3)PPS+40% glass fiber

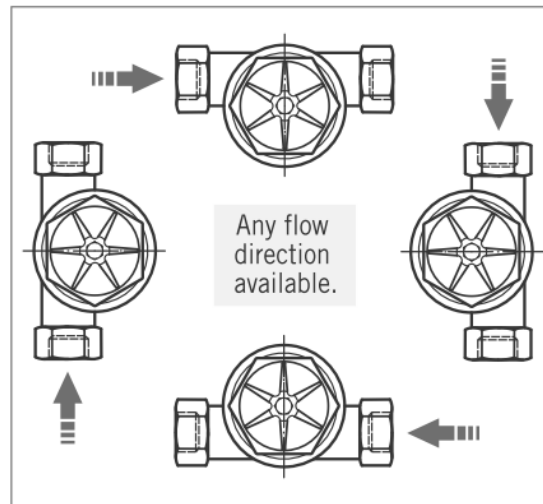
Temperature Limit: (1)ABS plastic: 70°C (white)
(2)PVDF: 100°C (red or white)
(3)PPS+40% glass fiber: 200°C (dark brown)

Pressure Limit: FW-1: 150 psig (10.34 bar)
FW-2: 125 psig (8.62 bar)
FW-3: available for 15,25 and 40 kg/cm² @25°C Water - FW-4: 80 kg/cm² @25°C Water

Connection: Threaded and Flange available

Size: (FW-1 & FW-2): 1/4", 3/8", 1/2", 3/4", 1", 1 1/4", 1 1/2", 2" (thread NPT or PF (F); Flange available
(FW-3): 2" to 8" Flange type only - (FW-4): 1/2" & 1 1/4" thread NPT female only

FLOW DIRECTION



OPTIONAL FOR IMPELLER

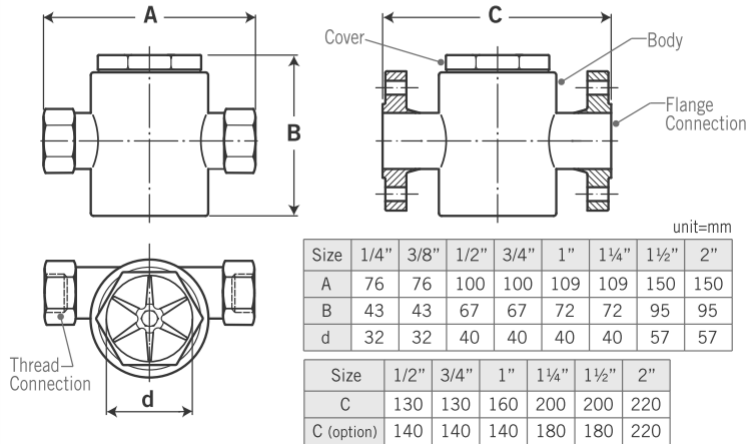


NOTE. The temperature limit above-mentioned is only for the reference to the rotors. Please also considering the max. temperature of body in the operating.

DIMENSIONS - mm

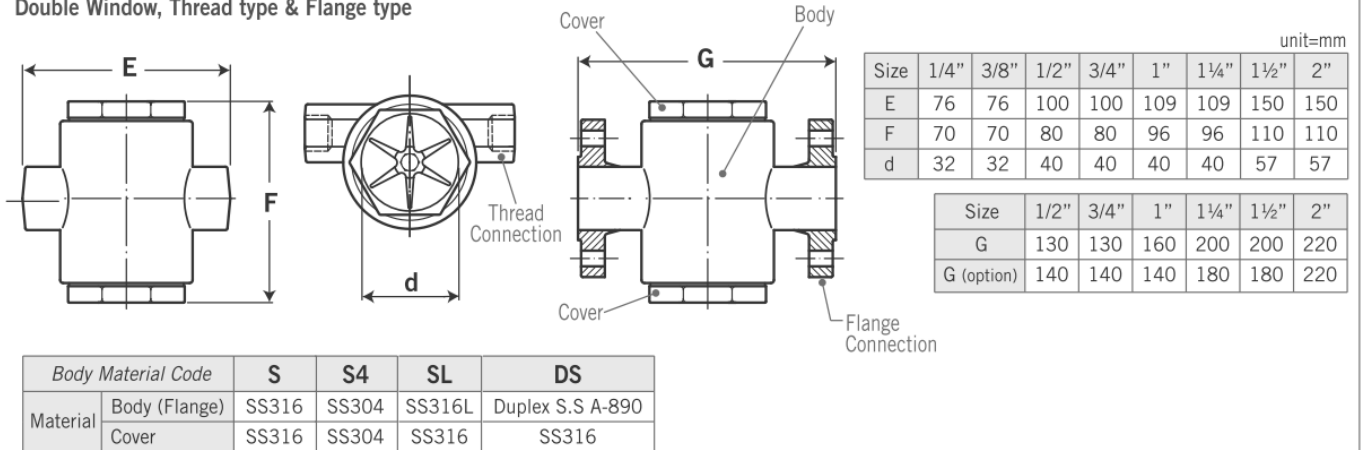
FW-1 Single Window, Thread type & Flange type

Body Material Code		S	S4	SL
Material	Body (Flange)	SS316	SS304	SS316L
	Cover	SS316	SS304	SS316



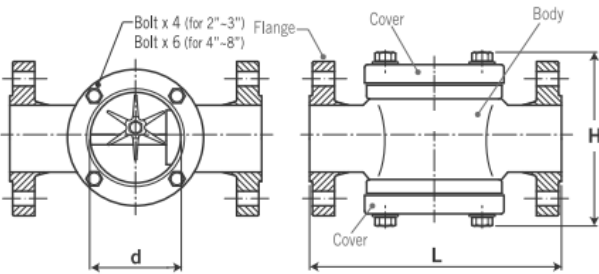
FW-2

Double Window, Thread type & Flange type



FW-3 Double Window, Flange type for big size

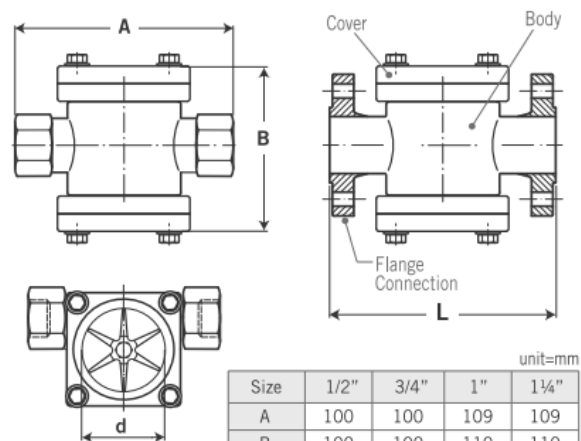
Body Material Code		S	S4	SL	DS
Material	Body (Flange)	SS316	SS304	SS316L	Duplex S.S UNS J92205
	Cover	SS316	SS304	SS316	SS316



Size	2"	2 1/2"	3"	4"	5"	6"	8"
d	65	84	84	109	148	170	222
H	146	164	183	212	247	276	345
L	220	270	270	320	380	420	500
L (option)	220	260	260	310	—	—	—
L (300LB)	—	—	—	—	—	—	—

FW-4 Double Window, with High Pressure

Body Material Code		S	S4	SL	DS
Material	Body (Flange)	SS316	SS304	SS316L	Duplex S.S UNS J92205
	Cover	SS316	SS304	SS316	SS316



Size	1/2"	3/4"	1"	1 1/4"
A	100	100	109	109
B	100	100	110	110
d	43	43	43	43
L	130	130	160	200
L (option)	140	140	140	180



ASIT ITALIA S.R.L.

Sede operativa e Uffici
Via Quintino Sella, 6
10020 Riva presso Chieri (TO)
T (+39) 011 198 218 39 - F (+39) 011 198 371 06

INFO@ASIT-GE.COM

WWW.ASIT-GE.COM



Company with
Certificate of Quality
System ISO 9001:2015
Cert n°38785/19/S