

DIGITAL PRESSURE GAUGE

NF.DPG3000T

Pressure Unit Choices Available: psi–Bar–MPa
Analog Signal, NPN Limit Switch Available
Zero Offset
LCD Digital Display
ISO 9001

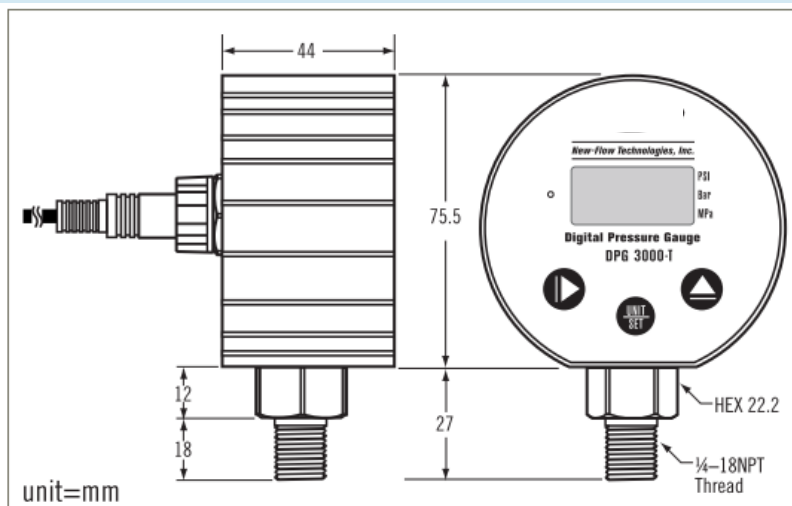
DPG3000T Digital Pressure Gauge offers $\pm 0.5\%$ full scale accuracy, while SS316 wetted part provides a variety of applications in media of fluids and gases for the industrial field and the commercial field.



TECHNICAL DATA

Peak Hold zero adjustment
Accuracy: $\pm 0.5\%$ of full scale ($\pm 1\%$ of full scale for 15 & 50 psi)
LCD Display: 30X 14.5cm, with 4 digits
Dimension: 3", H11.5 X W4.5cm
Operating Temperature: -10 to 60°C
Over Pressure: 2 times of F.S.
Process Connections: 1/4" NPT Male, standard
Connection Material: SS316
Multiple Pressure Limit: Psi, Bar, MPa
Power Supply: 10~30 VDC
Output Mode: 4~20mA with NPN limit switch

DIMENSIONS



Le caratteristiche dichiarate possono cambiare senza alcun preavviso



Per ordini:
Tel.: +39 011 198 218 39
E-mail: commerciale@asit-ge.com



DIGITAL PRESSURE GAUGE

NF.DPG3000T

RANGE TABLE

Pressure Range	Accuracy	Resolution		
		PSI	Bar	MPa
15 PSI	Typ. $\pm 1\%$ F.S.	0.01	0.001	0.001
50 PSI	Typ. $\pm 1\%$ F.S.	0.01	0.001	0.001
100 PSI	Typ. $\pm 0.5\%$ F.S.	0.01	0.001	0.001
200 PSI	Typ. $\pm 0.5\%$ F.S.	0.1	0.01	0.001
300 PSI	Typ. $\pm 0.5\%$ F.S.	0.1	0.01	0.001
500 PSI	Typ. $\pm 0.5\%$ F.S.	0.1	0.01	0.001
1000 PSI	Typ. $\pm 0.5\%$ F.S.	0.1	0.01	0.001
3000 PSI	Typ. $\pm 0.5\%$ F.S.	0.1	0.1	0.01
5000 PSI	Typ. $\pm 0.5\%$ F.S.	0.1	0.1	0.01

ORDERING INFORMATION

DPG3000T	Code	Pressure Range			
		(1) 15psi (2) 50psi (3) 100psi (4) 200psi (5) 300psi (6) 500psi (7) 1000psi (8) 3000psi (9) 5000psi			
		Code	Connection port		
		U	1/4"NPT	S	Customized
			Code	Power Supply	
			A	10~30 VDC	
				Code	Output Signal
					(1) 4~20mA with NPN limit switch
DPG3000T					Complete Ordering Code

Le caratteristiche dichiarate possono cambiare senza alcun preavviso



Per ordini:
Tel.: +39 011 198 218 39
E-mail: commerciale@asit-ge.com



ASIT ITALIA S.r.l.

Sede operativa e Uffici

Via Quintino Sella, 6 - 10020 Riva presso Chieri (TO)

T +39 011 198 218 39 - F +39 011 198 371 06

<http://www.asit-ge.com> - info@asit-ge.com

