

DIFFERENTIAL PRESSURE GAUGE

NF.DPH200

DPH200 series consist of high and low pressure ports.
Spring and diaphragm as well as magnet couple with pointer.
Differential pressure indicated on dial due to ΔP pressure of high side and low side be made from magnet couple with pointer.

TECHNICAL DATA

Dial Size: $\varnothing 4''$, $\varnothing 6''$ available
Accuracy: $\pm 2\%$ F.S (on rising pressure)
Housing Material: 316 stainless steel
Housing Protection: IP66
Pressure Element: Diaphragm- Viton; other parts all in SS316
Process Connection: $\frac{1}{2}''$ or $\frac{1}{4}''$ NPT female
Working Pressure: 200 kg/cm²
 (Both of High & Low side must be pressured on line at the same time.)
Working Temperature: max. 80°C

Approvals:

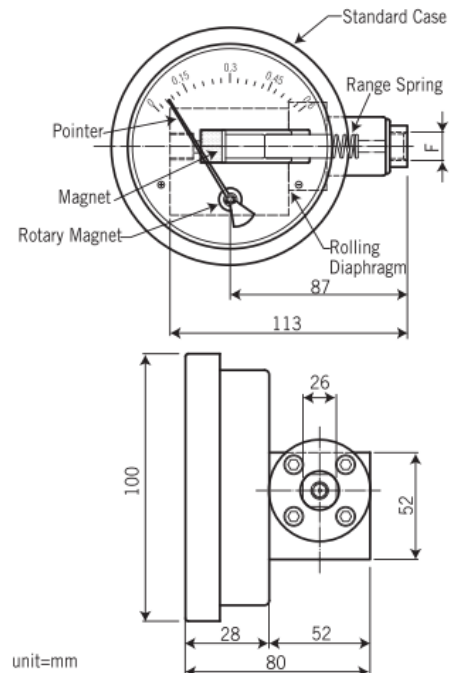

Patent No.
 M449263
 China: ZL 2012 2 0666839.5



RANGE TABLE

Code	Range		Maximum D/P Pressure Proof
07R	0~7 psi	0~0.5 kg/cm ²	8 psi
09R	0~9 psi	0~0.6 kg/cm ²	10 psi
12R	0~12 psi	0~0.8 kg/cm ²	13 psi
17R	0~17 psi	0~1.2 kg/cm ²	19 psi
30R	0~30 psi	0~2 kg/cm ²	33 psi
40R	0~40 psi	0~2.5 kg/cm ²	44 psi
60R	0~60 psi	0~4 kg/cm ²	66 psi
100R	0~100 psi	0~7 kg/cm ²	110 psi

DIMENSIONS



ORDERING INFORMATION

DPH200	Code	Dial Size	
	A	$\varnothing 4''$	B $\varnothing 6''$
		Code	Range
		07R	0~7 psi
		09R	0~9 psi
		12R	0~12 psi
		17R	0~17 psi
		30R	0~30 psi
		40R	0~40 psi
		60R	0~60 psi
		100R	0~100 psi
		Code	Wetted Parts Material
		A	SS316
		Code	Process Connection
		1	(1) $\frac{1}{2}''$ NPT Female (2) $\frac{1}{4}''$ NPT Female
DPH200			Complete Ordering Code

Le caratteristiche dichiarate possono cambiare senza alcun preavviso



Per ordini:
 Tel.: +39 011 198 218 39
 E-mail: commerciale@asit-ge.com



ASIT ITALIA S.r.l.

Sede operativa e Uffici

Via Quintino Sella, 6 - 10020 Riva presso Chieri (TO)

T +39 011 198 218 39 - F +39 011 198 371 06

<http://www.asit-ge.com> - info@asit-ge.com

